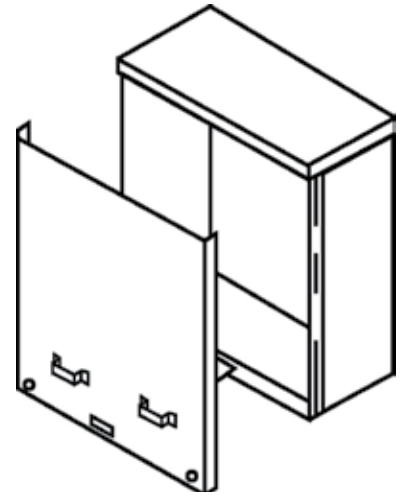




Serving our industry proudly for over 50 years!



Standard Sizes

Width	Height	Depth
30	30	12
36	36	14
42	42	14
48	48	14
54	54	16

NEMA 3R PEC CT Can

Application

EPI NEMA3R PEC CT Cans are used to protect CTs in outdoor installations in the PEC service area. Designed to protect the enclosed equipment against rain and sleet; may be used indoors where dripping water is a problem. This design conforms to PEC's CT Enclosure Specifications.

Construction

Made entirely from 14-gauge G-90 Galvanized steel. A drip shield top and smooth seam-free sides, front and back prevents rain, snow or sleet from entering the enclosure. $\frac{1}{4} \times \frac{3}{4}$ Zinc Plated Bolts hold the door securely closed. A Provision for lock is installed to secure the cover. No gasket is provided. A 14 gauge CT panel is provided which can be installed vertically or horizontally. Knockouts are not available.

Finish

The standard finish is Sherwin Williams ANSI-70 light-dove gray enamel finish inside and out. Also available in G-90 Galvanized Steel finish.

Industry Standard

Meets National Electrical Manufacturers Association (NEMA) standard for Type 3R (Rainproof and Sleet-Ice resistant) enclosures.