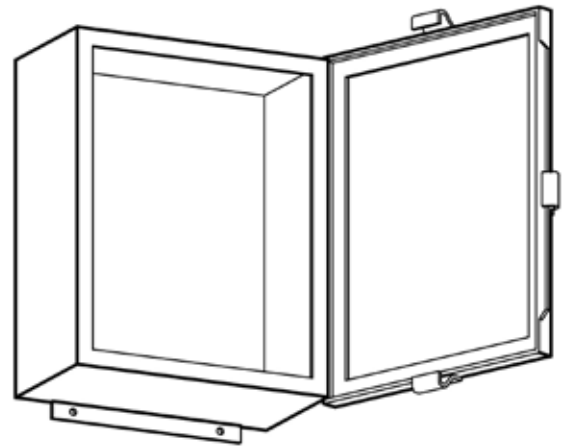




ENCLOSURES
& ENGINEERING



Serving our industry proudly for 55 years!



Standard Sizes

Width	Height	Depth
4	4	4
4	6	4
6	6	4
6	8	4
8	8	4
8	10	4
6	8	6
8	10	6
10	10	6
12	12	6
12	14	6
14	16	6

NEMA 4X JIC Hinge Cover QR Enc.

Application

EPI NEMA 4X JIC Stainless Steel Hinge Cover Quick Release Enclosures are designed for use in areas which may be regularly hosed down or are very wet. They are suitable for use in dairies, breweries, and similar installations. They are also designed for use in areas where serious corrosion problems exist.

Construction

Made from 16 or 14-gauge stainless steel (Type 304 2B). Stainless steel external Quick release catches secure the gasketed continuous stainless steel hinge cover. The catches are quick and easy to operate. The neoprene gasket is attached to the cover with oil-resistant adhesive. All seams are continuously welded and there are no holes or knockouts. External feet are furnished for mounting.

Accessories

Panels must be ordered separately. Provisions for padlocking and other type hardware can be provided if specified. Stainless steel panels are available.

Finish

The standard finish is a stainless steel type 304 2B series. Type 316 SS is available.

Industry Standard

Meets National Electrical Manufacturers Association (NEMA) standard for Type 4 (Water Tight and Dust Tight) and Type 4X (Water Tight, Dust Tight and Corrosion Resistant). JIC EGP-I-1967. UL50E Certified.