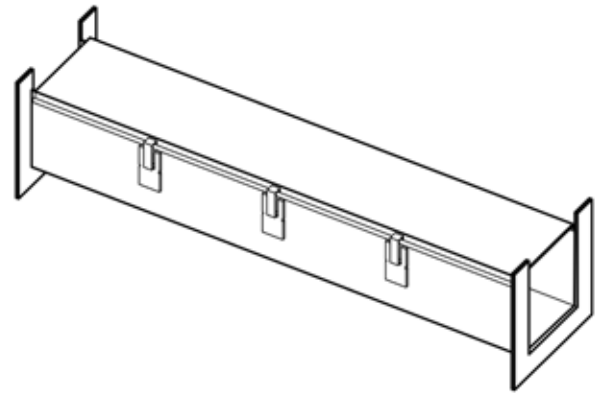




ENCLOSURES
& ENGINEERING



Serving our industry proudly for 55 years!



Standard Sizes

Height	Depth	Length	Height	Depth	Length
4	4	12	6	6	12
4	4	24	6	6	24
4	4	36	6	6	36
4	4	48	6	6	48
4	4	60	6	6	60
4	4	72	6	6	72
4	4	120	6	6	120

4x4 90° Elbow
4x4 45° Elbow
4x4 End Plate
4x4 Tee
4x4 6" Long Nipple
4x4 Box Connector
4x4 Reducer 4" to 2 1/2"
4x4 Gasket and Screws
4x4 Drop Hanger
4x4 Bracket Hanger
4x4 Seal Plate

6x6 90° Elbow
6x6 45° Elbow
6x6 End Plate
6x6 Tee
6x6 6" Long Nipple
6x6 Box Connector
6x6 Reducer 4" to 2 1/2"
6x6 Gasket and Screws
6x6 Drop Hanger
6x6 Bracket Hanger
6x6 Seal Plate

NEMA 4 Flanged Hinged Lay-in Wireway

Application

EPI NEMA 4 JIC Flanged, Hinge Covered Lay-in Wireway are designed to protect electrical wiring in areas, which may be regularly hosed down or are very wet. Suitable for use outdoors, or in dairies, breweries and similar installations. This design allows for wire and cable to be installed by "laying-in" rather than by pulling-through the wire. A complete selection of sections and fittings are available in 4X4, 6X6, 8X8, 10X10, and 12X12 sizes.

Construction

Made from 16 or 14-gauge steel. The end flanges are made from 12-gauge steel. All seams are continuously welded and there are no holes or knockouts. All sections and fittings have smooth rounded edges to prevent damage to insulation. The covers have gasket with oil resistant adhesive. Stainless steel butt hinges and external stainless steel screw clamps assure complete seal between covers and bodies (Covers not to exceed 72"). A solid oil resistant gasket is positioned between flanges when sections and fittings are bolted together.

Finish

The standard finish is Sherwin Williams ANSI-70 light-dove gray inside and out. Clamps and screws are stainless steel. Additional finishes are available.

Industry Standard

Meets National Electrical Manufacturers Association (NEMA) standard for Type 4 (Water Tight and Dust Tight), Type 12 (Industrial Use) and Type 13 (Oil Tight and Dust Tight) enclosures. Also conforms to the Joint Industrial Council (JIC) EGP-1-1967.

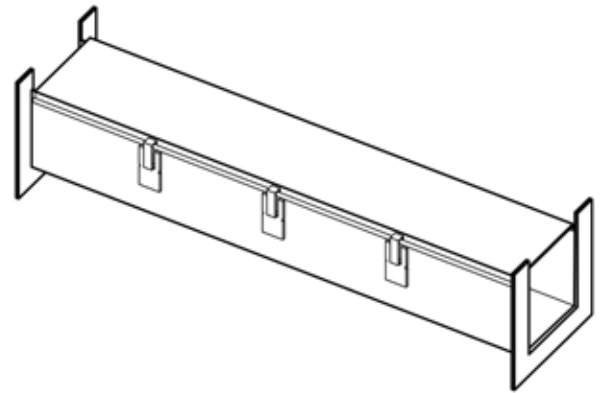
UL50E Certification pending.



ENCLOSURES
& ENGINEERING



Serving our industry proudly for 55 years!



Standard Sizes

Height	Depth	Length	Height	Depth	Length
8	8	12	10	10	12
8	8	24	10	10	24
8	8	36	10	10	36
8	8	48	10	10	48
8	8	60	10	10	60
8	8	72	10	10	72
8	8	120	10	10	120

8x8 90° Elbow	10x10 90° Elbow
8x8 45° Elbow	10x10 45° Elbow
8x8 End Plate	10x10 End Plate
8x8 Tee	10x10 Tee
8x8 6" Long Nipple	10x10 6" Long Nipple
8x8 Box Connector	10x10 Box Connector
8x8 Reducer 4" to 2 1/2"	10x10 Reducer 4" to 2 1/2"
8x8 Gasket and Screws	10x10 Gasket and Screws
8x8 Drop Hanger	10x10 Drop Hanger
8x8 Bracket Hanger	10x10 Bracket Hanger
8x8 Seal Plate	10x10 Seal Plate

NEMA 4 Flanged Hinged Lay-in Wireway

Application

EPI NEMA 4 JIC Flanged, Hinge Covered Lay-in Wireway are designed to protect electrical wiring in areas, which may be regularly hosed down or are very wet. Suitable for use outdoors, or in dairies, breweries and similar installations. This design allows for wire and cable to be installed by "laying-in" rather than by pulling-through the wire. A complete selection of sections and fittings are available in 4X4, 6X6, 8X8, 10X10, and 12X12 sizes.

Construction

Made from 16 or 14-gauge steel. The end flanges are made from 12-gauge steel. All seams are continuously welded and there are no holes or knockouts. All sections and fittings have smooth rounded edges to prevent damage to insulation. The covers have gasket with oil resistant adhesive. Stainless steel butt hinges and external stainless steel screw clamps assure complete seal between covers and bodies (Covers not to exceed 72"). A solid oil resistant gasket is positioned between flanges when sections and fittings are bolted together.

Finish

The standard finish is Sherwin Williams ANSI-70 light-dove gray inside and out. Clamps and screws are stainless steel. Additional finishes are available.

Industry Standard

Meets National Electrical Manufacturers Association (NEMA) standard for Type 4 (Water Tight and Dust Tight), Type 12 (Industrial Use) and Type 13 (Oil Tight and Dust Tight) enclosures. Also conforms to the Joint Industrial Council (JIC) EGP-1-1967.

UL50E Certification pending.