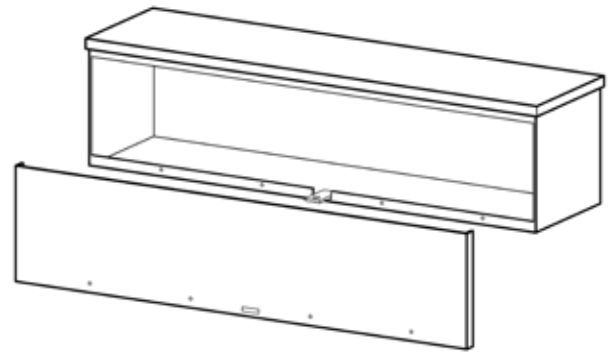




ENCLOSURES
& ENGINEERING



Serving our industry proudly for 55 years!



Standard Sizes

Height	Depth	Length	Height	Depth	Length
4	4	12	10	10	12
4	4	24	10	10	24
4	4	36	10	10	36
4	4	48	10	10	48
4	4	60*	10	10	60*
4	4	72*	10	10	72*
4	4	120*	10	10	120*
6	6	12	12	12	12
6	6	24	12	12	24
6	6	36	12	12	36
6	6	48	12	12	48
6	6	60*	12	12	60*
6	6	72*	12	12	72*
6	6	120*	12	12	120*
8	8	12			
8	8	24			
8	8	36			
8	8	48			
8	8	60*			
8	8	72*			
8	8	120*			

*Not a stocking size

NEMA 3R Utility Wireway

Application

EPI NEMA Type 3R Weatherproof Wireway is used to protect wiring in outdoor installations. Designed to protect the enclosed equipment against falling rain and sleet; may be used indoors where dripping water is a problem.

Construction

Made from 14-gauge steel. A drip shield top and smooth seam-free sides, front and back, prevent rain, snow, or sleet from entering the wireway. The slip on removable cover is securely fastened with screws along the bottom edge (Covers not to exceed 72"). No gasket is provided. There are no holes or knockouts. All covers are provided with provisions for padlocking. No covers greater than 72". Available in Aluminum and Stainless Steel.

Finish

The standard finish is Sherwin Williams ANSI-70 painted gray enamel finish inside and out.

Industry Standard

Meets National Electrical Manufacturers Association (NEMA) standard for Type 3R (Rainproof and Sleet-Ice Resistant) enclosures.