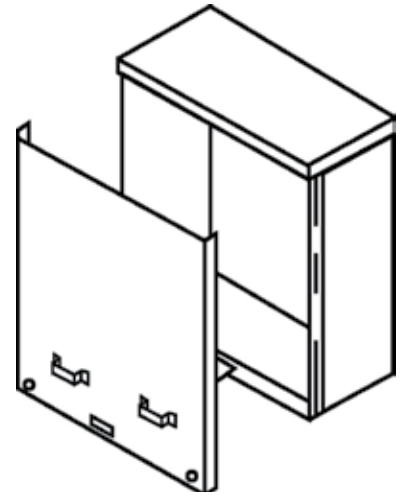




Serving our industry proudly for 55 years!



## Standard Sizes

Width	Height	Depth
24	24	12
24	30	12
24	36	12
24	48	12
30	30	12
30	36	12
36	36	12

## NEMA 3R CT Can

### Application

EPI NEMA 3R CT Screw Cover Enclosures are used to protect wiring in outdoor installations. Designed to protect the enclosed equipment against falling rain and sleet; may be used indoors where dripping water is a problem.

### Construction

Made from 16 or 14-gauge steel. CT Cans wider or taller than 48" are made from 12-gauge steel. A drip shield top and smooth seam-free sides, front and back prevents rain, snow or sleet from entering the enclosure. The slip on removable cover is securely fastened with screws along the bottom edge. A handle is installed for removal of the cover. There is also a padlocking tongue that protrudes through the door. Panels must be ordered separately. Available in Aluminum and Stainless Steel.

### Finish

The standard finish is G-90 galvanized steel. A Sherwin Williams ANSI-70 light-dove gray enamel finish inside and out is also available.

### Industry Standard

Meets National Electrical Manufacturers Association (NEMA) standard for Type 3R (Rainproof and Sleet-Ice Resistant) enclosures.