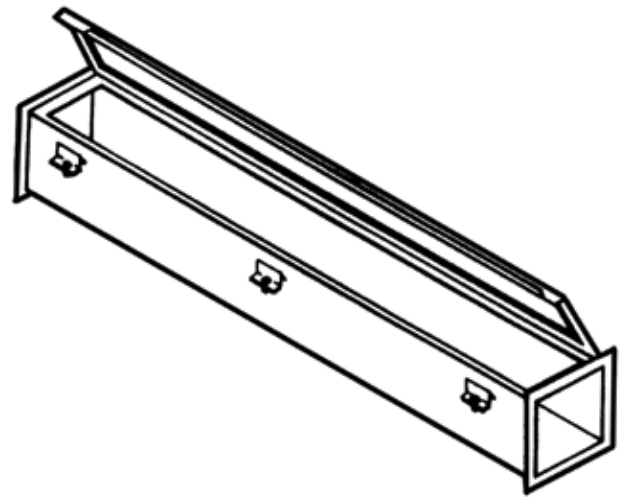




Serving our industry proudly for over 50 years!



Standard Sizes

Width	Height	Length	Width	Height	Length
4	4	12	6	6	12
4	4	24	6	6	24
4	4	36	6	6	36
4	4	48	6	6	48
4	4	60	6	6	60
4	4	72	6	6	72
4	4	120	6	6	120
4x4 90° Elbow			6x6 90° Elbow		
4x4 45° Elbow			6x6 45° Elbow		
4x4 End Plate			6x6 End Plate		
4x4 Tee			6x6 Tee		
4x4 6" Long Nipple			6x6 6" Long Nipple		
4x4 Box Connector			6x6 Box Connector		
4x4 Reducer 4" to 2 1/2"			6x6 Reducer 4" to 2 1/2"		
4x4 Gasket and Screws			6x6 Gasket and Screws		
4x4 Drop Hanger			6x6 Drop Hanger		
4x4 Bracket Hanger			6x6 Bracket Hanger		

NEMA 12 Flanged Hinged Wireway

Application

EPI NEMA Type 12 JIC Hinge Cover Wireway is designed to protect wiring from dust, dirt, oil, and water. For indoor use.

Construction

Made from 16 or 14-gauge steel. All seams are continuously welded and there are no holes or knockouts. Each cover has an oil-resistant gasket attached with oil resistant adhesive. Continuous stainless steel hinges and external screw clamps insure a complete seal between covers and bodies (Covers not to exceed 72"). External feet can be provided for mounting.

Finish

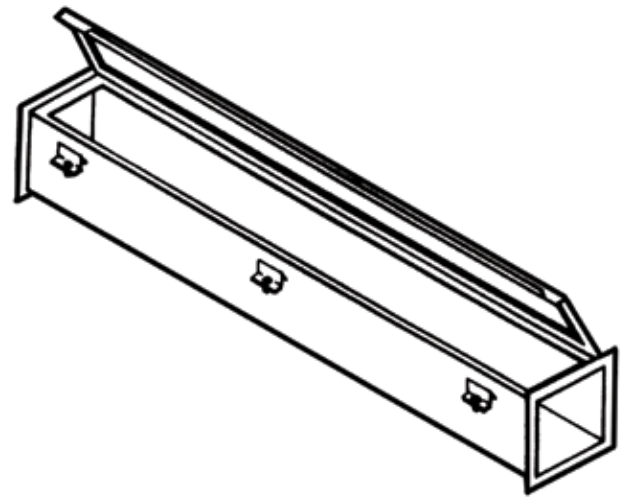
The standard finish is Sherwin Williams ANSI-70, light-dove gray inside and out.

Industry Standard

Meets National Electrical Manufacturers Association (NEMA) standard for Type 12 (Industrial Use) and Type 13 (Oil tight and dust tight) enclosures. Also conforms to the Joint Industrial Council (JIC) standard EGP-1-1967.



Serving our industry proudly for over 50 years!



Standard Sizes

Width	Height	Length	Width	Height	Length
8	8	12	10	10	12
8	8	24	10	10	24
8	8	36	10	10	36
8	8	48	10	10	48
8	8	60	10	10	60
8	8	72	10	10	72
8	8	120	10	10	120
8x8 90° Elbow			10x10 90° Elbow		
8x8 45° Elbow			10x10 45° Elbow		
8x8 End Plate			10x10 End Plate		
8x8 Tee			10x10 Tee		
8x8 6" Long Nipple			10x10 6" Long Nipple		
8x8 Box Connector			10x10 Box Connector		
8x8 Reducer 4" to 2 1/2"			10x10 Reducer 4" to 2 1/2"		
8x8 Gasket and Screws			10x10 Gasket and Screws		
8x8 Drop Hanger			10x10 Drop Hanger		
8x8 Bracket Hanger			10x10 Bracket Hanger		

NEMA 12 Flanged Hinged Wireway

Application

EPI NEMA Type 12 JIC Hinge Cover Wireway is designed to protect wiring from dust, dirt, oil, and water. For indoor use.

Construction

Made from 16 or 14-gauge steel. All seams are continuously welded and there are no holes or knockouts. Each cover has an oil-resistant gasket attached with oil resistant adhesive. Continuous stainless steel hinges and external screw clamps insure a complete seal between covers and bodies (Covers not to exceed 72"). External feet can be provided for mounting.

Finish

The standard finish is Sherwin Williams ANSI-70, light-dove gray inside and out.

Industry Standard

Meets National Electrical Manufacturers Association (NEMA) standard for Type 12 (Industrial Use) and Type 13 (Oil tight and dust tight) enclosures. Also conforms to the Joint Industrial Council (JIC) standard EGP-1-1967.