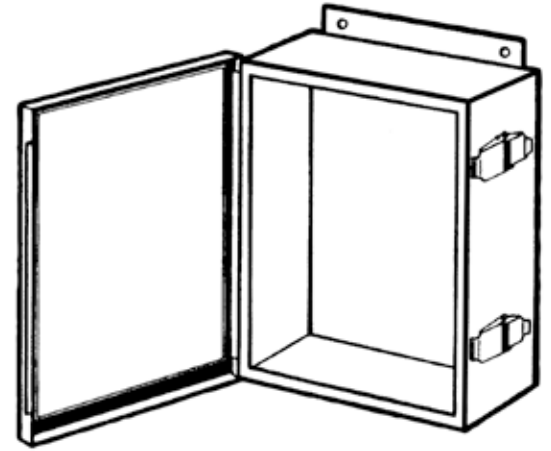




ENCLOSURES  
& ENGINEERING



Serving our industry proudly for 55 years!



## Standard Sizes

Width	Height	Depth	Width	Height	Depth
12	16	6	24	24	12
16	16	6	24	30	12
24	24	6	24	36	12
24	30	6	30	30	12
24	36	6	30	36	12
			30	42	12
12	16	8	30	72	12
24	24	8	36	36	12
24	30	8	36	42	12
24	36	8	36	48	12
30	30	8			
30	36	8	30	36	16
30	42	8	36	48	16
24	24	10			
24	30	10			
30	36	10			
30	48	10			
36	48	10			
36	60	10			

## NEMA 12 Design QR Hinge Cover Enc.

### Application

EPI NEMA Type 12 JIC Quick Release Hinge Cover Enclosures are designed for installations where a continuous stainless steel hinge and quick release clamps are required. Quick release clamps are quick and easy to operate and have no loose parts. They will house electrical controls, terminals, and instruments and provide protection from dust, dirt, oil, and water. For indoor use.

### Construction

Made from 16 or 14-gauge steel. All seams are continuously welded. There are no holes or knockouts. External quick release latches secure the gasketed cover. A continuous stainless steel hinge is provided. External feet are furnished for mounting. Panels must be ordered separately.

### Accessories

Provisions for padlocking and other type hardware can be provided.

### Finish

The standard finish is Sherwin Williams ANSI-70, light-dove gray inside and out. Additional finish can be provided.

### Industry Standard

Meets National Electrical Manufacturers Association (NEMA) and Joint Industrial Council (JIC) standards as indicated. JIC EGP-1-1967. UL50E Certified.