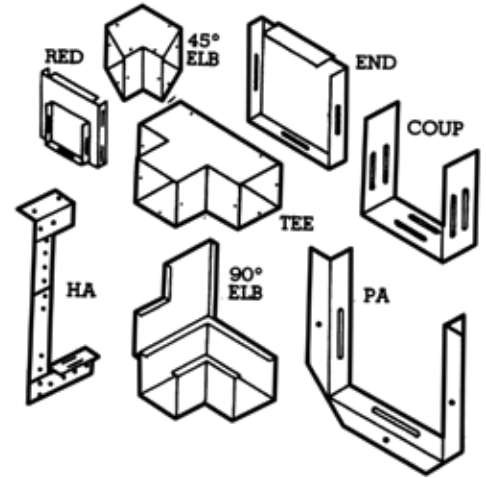




ENCLOSURES
& ENGINEERING



Serving our industry proudly for 55 years!



Standard Sizes

Ends		45° or 90° Elbows	
4	4	4	4
6	6	6	6
8	8	8	8
8	10	10	8
10	10	10	10
10	12	12	10
12	12	12	12

Couplings		Drop Hangers	
4	4	4	4
6	6	6	6
8	8	8	8
8	10	10	10
10	10	12	12
12	12		

Panel Adapters		Reducers	
4	4		6 to 4
6	6		8 to 6
8	8		10 to 8
8	10		12 to 10
10	10		
12	12		

Tees	
4	4
6	6
8	8
8	10
10	10
10	12
12	12

NEMA 1 Wireway Accessories

Ends

Used to close the end of a wireway section of run.

Couplings

Wireway sections and fittings are rigidly joined together with couplings.

Panel Adapter

A flanged fitting which allows the wireway to be securely connected to an enclosure.

Tees

This fitting allows the user to form left or right 90° turns.

45° or 90° Elbows

Any side can be removed, regardless of how the elbow is oriented. Cover is held with screws. Indicate which side is to be removed.

Drop Hangers

Hangers are used to support a wireway run. The two parts can be assembled as a bracket hanger or a drop hanger.

Reducer

Used to reduce to a smaller wireway size.

*** All accessories must be ordered separately, as they are not furnished with other sections of fittings.**

*** All Accessories are available in Aluminum and Stainless Steel.**